

DISCOUNT CODE - MEL



**ELECTROMAX 'eNRG+' SERIES
PREMIUM EFFICIENCY CAST IRON CONSTRUCTION**



DESIGN FEATURES

- NEMA Design B, Premium Efficiency
- 3:1 Constant Torque, 10:1 Variable Torque Speed Range
- 90° Rotatable oversized and gasketed conduit box
- Aluminum alloy nameplate
- Voltages - 208-230/460V, 1.15 SF; also rated for 50Hz at 1.0 SF on nameplate (50Hz, 190/380V), 575V
- IP54 Degree of Protection
- Neoprene Shaft Flinger
- High strength corona free fan
- Class F Insulation System with Class B Temperature rise
- Wye-Delta Starting on 213T frame and above
- One way corrosion resistant condensate drains
- Regreasable Bearings on 284T frame and above



HP	RPM	FRAME	CAT. NO.*	FL AMPS 575	FL AMPS 230/460	FL EFF.	WGT (LBS)	"C" DIM.	LIST
1	3480	143T	P_C12	1.14	2.86 / 1.43	77.0	47	13.3	\$454
	1725	143T	P_C14	1.23	3.08 / 1.54	85.5	45	13.3	\$416
	1140	145T	P_C16	1.38	3.44 / 1.72	82.5	63	14.3	\$539
1.5	3480	143T	P_C1.52	1.57	3.92 / 1.96	84.0	51	13.3	\$472
	1725	145T	P_C1.54	1.8	4.50 / 2.25	86.5	66	14.3	\$488
	1160	182T	P_C1.56	1.83	4.58 / 2.29	87.5	100	16.3	\$683
2	3480	145T	P_C22	2.06	5.14 / 2.57	85.5	66	14.3	\$535
	1725	145T	P_C24	2.37	5.92 / 2.96	86.5	67	14.3	\$519
	1160	184T	P_C26	2.42	6.04 / 3.02	88.5	116	17.3	\$754
3	3500	182T	P_C32	2.95	7.38 / 3.69	86.5	91	16.3	\$665
	1740	182T	P_C34	3.14	7.84 / 3.92	89.5	101	16.3	\$658
	1170	213T	P_C36	3.49	8.72 / 4.36	89.5	151	21.3	\$939
5	3500	184T	P_C52	4.81	12.0 / 6.01	88.5	117	17.3	\$844
	1740	184T	P_C54	5.17	12.3 / 6.46	89.5	115	17.3	\$738
	1170	215T	P_C56	5.66	14.1 / 7.07	89.5	167	22.9	\$1,250
7.5	3500	213T	P_C7.52	7.06	17.6 / 8.82	89.5	153	21.3	\$1,094
	1740	213T	P_C7.54	7.56	18.9 / 9.45	91.7	173	21.3	\$1,078
	1170	254T	P_C7.56	8.08	20.2 / 10.1	91.0	268	25.6	\$1,756
10	3500	215T	P_C102	9.20	23.0 / 11.5	90.7	186	22.9	\$1,281
	1740	215T	P_C104	9.84	24.6 / 12.3	91.7	189	22.9	\$1,234
	1170	256T	P_C106	10.6	26.6 / 13.3	91.0	325	27.3	\$2,141
15	3525	254T	P_C152	13.5	33.8 / 16.9	91.0	290	25.6	\$1,797
	1750	254T	P_C154	14.3	35.8 / 17.9	92.4	295	25.6	\$1,797
	1170	284T	P_C156	14.6	36.4 / 18.2	91.7	423	28.6	\$2,891

Notes:

* Replace “_” in Catalogue Number with “A” for 575 Volt or “B” for 208-230/460 Volt.
C & D Flanges for ElectroMec eNRG+ Cast Iron Motors listed on Page 11.

**ElectroMax eNRG+ ratings
continued next page...**



NOTE: Pricing and specifications subject to change without notice.

**ELECTROMAX 'eNRG+' SERIES
PREMIUM EFFICIENCY CAST IRON CONSTRUCTION**



HP	RPM	FRAME	CAT. NO.*	FL. AMPS 575	FL. AMPS 230/460	FL EFF.	WGT (LBS)	"C" DIM.	LIST
20	3525	256T	P_C202	18.1	45.2 / 22.6	93.0	326	27.3	\$2,313
	1750	256T	P_C204	18.7	46.8 / 23.4	93.0	346	27.3	\$2,078
	1170	286T	P_C206	19.0	47.4 / 23.7	91.7	453	28.6	\$3,313
25	3550	284TS	P_C252	21.9	54.8 / 27.4	91.7	442	27.2	\$2,891
	1780	284T	P_C254	23.0	55.6 / 28.7	93.6	478	28.6	\$2,769
	1180	324T	P_C256	24.8	62.0 / 31.0	93.0	681	34.4	\$3,984
30	3550	286TS	P_C302	26.3	65.8 / 32.9	91.7	428	27.2	\$3,141
	1780	286T	P_C304	27.6	69.0 / 34.5	93.6	496	28.6	\$3,094
	1180	326T	P_C306	29.8	74.4 / 37.2	93.0	713	36.0	\$4,609
40	3550	324TS	P_C402	36.0	90.0 / 45.0	92.4	638	32.9	\$4,063
	1780	324T	P_C404	37.0	92.6 / 46.3	94.1	667	34.4	\$3,719
	1180	364T	P_C406	37.8	94.6 / 47.3	94.1	850	39.0	\$6,328
50	3550	326TS	P_C502	44.7	111 / 55.9	93.0	681	34.5	\$4,859
	1780	326T	P_C504	46.1	115 / 57.6	94.5	705	36.0	\$4,719
	1180	365T	P_C506	46.2	116 / 57.8	94.1	890	40.6	\$7,422
60	3550	364TS	P_C602	53.4	133 / 66.7	93.6	814	36.5	\$6,484
	1780	364T	P_C604	53.8	134 / 67.2	95.0	846	39.0	\$5,969
	1180	404T	P_C606	56.0	140 / 70.0	94.5	1,074	37.4	\$8,281
75	3550	365TS	P_C752	66.6	167 / 83.3	93.6	870	38.0	\$7,344
	1780	365T	P_C754	66.7	165 / 82.7	95.4	935	40.6	\$7,156
	1180	405T	P_C756	69.6	174 / 87.0	94.5	1,158	42.6	\$9,328
100	3570	405TS	P_C1002	88.8	222 / 111	94.1	993	39.5	\$9,844
	1780	405T	P_C1004	90.4	226 / 113	95.4	1,147	42.6	\$9,375
	1180	444T	P_C1006	91.2	114	95.0	1,950	52.9	\$13,125
125	3570	444TS	P_C1252	110	137	95.0	1,695	49.1	\$12,344
	1780	444T	P_C1254	111	139	95.4	1,735	52.9	\$12,188
	1180	445T	P_C1256	116	145	95.0	2,095	52.9	\$14,063
150	3570	445TS	P_C1502	130	163	95.8	1,865	49.1	\$15,938
	1780	445T	P_C1504	131	164	95.8	2,010	52.9	\$13,125
	1180	447T	P_C1506	138	172	95.8	2,360	52.9	\$18,281
200	3570	447TS	P_C2002	174	218	95.4	2,325	49.1	\$18,750
	1780	447T	P_C2004	177	221	96.2	2,410	52.9	\$17,519
	1180	449T	P_C2006	182	227	95.8	2,420	TBA	\$20,656

Notes:

* Replace “_” in Catalogue Number with “A” for 575 Volt or “B” for 208-230/460 Volt.
Frames 444T and above are 460 Volt only.
C & D Flanges for ElectroMec eNRG+ Cast Iron Motors listed on Page 11.



DISCOUNT CODE - MEL


Phelan  Electromec™
**ELECTROMAX 'eNRG+' SERIES PREMIUM EFFICIENCY
C & D FLANGE KITS, BEARING INFORMATION**

C AND D FLANGE KITS FOR ELECTROMAX eNRG+

FRAME	USE FOR	C FLANGE CAT. NO.	LIST	D FLANGE CAT. NO.	LIST
143/5T	ALL RPM 140T	CFP140C	\$112	DFP140C	\$132
182/4T	ALL RPM 180T	CFP180C	\$138	DFP180C	\$193
213/5T	ALL RPM 210T	CFP210C	\$153	DFP210C	\$232
254/6TS	250TS 3600 RPM	CFP250-2C	\$195	DFP250-2C	\$275
254/6T	250T 1800 & 1200 RPM	CFP250-46C	\$195	DFP250-46C	\$275
284/6TS	280TS 3600 RPM	CFP280-2C	\$293	DFP280-2C	\$397
284/6T	280T 1800 & 1200 RPM	CFP280-46C	\$293	DFP280-46C	\$397
324/6TS	320TS 3600 RPM	CFP320-2C	\$321	DFP320-2C	\$446
324/6T	320T 1800 & 1200 RPM	CFP320-46C	\$321	DFP320-46C	\$446
364/5TS	360TS 3600 RPM	CFP360-2C	\$356	DFP360-2C	\$524
364/5T	360T 1800 & 1200RPM	CFP360-46C	\$356	DFP360-46C	\$524
405TS	405TS 3600 RPM	CFP405-2C	\$411	DFP405-2C	\$653
404/5T	400T 1800 & 1200 RPM	CFP400-46C	\$516	DFP400-46C	\$653
444/5TS	440TS 3600 RPM	CFP440-2C	\$488	---	---
444/5T	440T 1800 & 1200 RPM	CFP440-46C	\$516	---	---
447/9T				---	---

NEW LIST PRICING

FRAME	BEARING SIZE		BEARING TYPE	REGREASEABLE
	D.E.	O.D.E.		
143T-145T	6205	6205	DOUBLE SHIELDED	NO
182T-184T	6206	6206	DOUBLE SHIELDED	NO
213T-215T	6208	6208	DOUBLE SHIELDED	NO
254T-256T - 2P	6209	6209	DOUBLE SHIELDED	NO
254T-256T - 4P, 6P	6309	6209	DOUBLE SHIELDED	NO
284TS-286TS	6211	6211	OPEN	YES
284T-286T	6311	6211	OPEN	YES
324TS-326TS	6212	6212	OPEN	YES
324T-326T	6312	6212	OPEN	YES
364TS-365TS	6312	6312	OPEN	YES
364T-365T	6313	6312	OPEN	YES
405TS	6313	6313	OPEN	YES
404T-405T	6317	6313	OPEN	YES
444TS-445TS	6316	6316	OPEN	YES
444T-445T	N319	6316	OPEN	YES
447TS	6316	6316	OPEN	YES
447T-449T	N319(*)	6316	OPEN	YES

NOTES: (*)Roller bearing, drive end.
Electromec™
NOTE: Pricing and specifications subject to change without notice.



ELECTROMAX eNRG+ CAST IRON FRAME PERFORMANCE DATA

HP	RPM	FRAME	CAT. NO.*	TORQUE			CURRENT				PF	EFF. %	NEMA CODE LETTER
				FULL LOAD FT/LB	LOCKED ROTOR %	BREAK DOWN %	FLA 575V	LRA 575V	FLA 460V	LRA 460V			
1	3480	143T	P_C12	1.5	300	350	1.14	11.2	1.43	14.0	0.85	77.0	M
	1725	143T	P_C14	3	300	350	1.23	11.2	1.54	14.0	0.71	85.5	M
	1140	145T	P_C16	4.6	220	270	1.38	8.80	1.72	11.0	0.66	82.5	K
1.5	3480	143T	P_C1.52	2.3	300	310	1.57	15.9	1.96	19.9	0.85	84.0	M
	1725	145T	P_C1.54	4.5	280	290	1.80	15.9	2.25	19.9	0.72	86.5	M
	1160	182T	P_C1.56	6.8	210	280	1.83	15.9	2.29	19.9	0.7	87.5	M
2	3480	145T	P_C22	3	290	330	2.06	19.1	2.57	23.9	0.85	85.5	L
	1725	145T	P_C24	6.1	290	300	2.37	19.1	2.96	23.9	0.73	86.5	L
	1160	184T	P_C26	9.1	210	270	2.42	19.1	3.02	23.9	0.7	88.5	L
3	3500	182T	P_C32	4.5	230	300	2.95	25.6	3.69	32.0	0.88	86.5	K
	1740	182T	P_C34	9.1	240	300	3.14	25.6	3.92	32.0	0.8	89.5	K
	1170	213T	P_C36	13.5	230	330	3.49	25.6	4.36	32.0	0.72	89.5	K
5	3500	184T	P_C52	7.5	235	290	4.81	36.0	6.01	45.0	0.88	88.5	K
	1740	184T	P_C54	15.1	220	290	5.17	36.0	6.46	45.0	0.81	89.5	J
	1170	215T	P_C56	22.5	200	280	5.66	36.0	7.07	45.0	0.74	89.5	J
7.5	3500	213T	P_C7.52	11.3	190	280	7.06	50.4	8.82	63.0	0.89	89.5	H
	1750	213T	P_C7.54	22.5	190	250	7.56	50.4	9.45	63.0	0.81	91.7	H
	1170	254T	P_C7.56	33.7	180	230	8.08	50.4	10.1	63.0	0.76	91.0	H
10	3500	215T	P_C102	15	190	290	9.20	64.0	11.5	80.0	0.89	90.7	H
	1750	215T	P_C104	30	180	250	9.84	64.0	12.3	80.0	0.82	91.7	H
	1170	256T	P_C106	44.9	190	250	10.6	64.0	13.3	80.0	0.77	91.0	H
15	3525	254T	P_C152	22.4	190	280	13.5	92.0	16.9	115	0.91	91.0	G
	1750	254T	P_C154	45	200	270	14.3	92.0	17.9	115	0.85	92.4	G
	1170	284T	P_C156	67.4	190	270	14.6	92.8	18.2	116	0.84	91.7	G
20	3525	256T	P_C202	29.8	180	280	18.1	116	22.6	145	0.91	93.0	G
	1750	256T	P_C204	60	190	250	18.7	116	23.4	145	0.86	93.0	G
	1170	286T	P_C206	89.8	180	250	19.0	116	23.7	145	0.86	91.7	G
25	3550	284TS	P_C252	37	175	250	21.9	146	27.4	182	0.93	91.7	G
	1780	284T	P_C254	73.8	200	260	23.0	146	28.7	182	0.87	93.6	G
	1180	324T	P_C256	111.3	195	260	24.8	146	31.0	182	0.81	93.0	G
30	3550	286TS	P_C302	44.4	170	280	26.3	172	32.9	215	0.93	91.7	G
	1780	286T	P_C304	88.6	190	250	27.6	170	34.5	212	0.87	93.6	G
	1180	326T	P_C306	133.6	190	260	29.8	170	37.2	212	0.81	93.0	G
40	3550	324TS	P_C402	59.2	170	240	36.0	228	45.0	285	0.86	92.4	G
	1780	324T	P_C404	118.1	170	260	37.0	228	46.3	285	0.84	94.1	G
	1180	364T	P_C406	178.1	190	250	37.8	228	47.3	285	0.9	94.1	G
50	3550	326TS	P_C502	74	180	250	44.7	288	55.9	360	0.9	93.0	G
	1780	326T	P_C504	147.6	185	240	46.1	288	57.6	360	0.86	94.5	G
	1180	365T	P_C506	222.6	180	230	46.2	288	57.8	360	0.86	94.1	G
60	3550	364TS	P_C602	88.8	175	215	53.4	344	66.7	430	0.9	93.6	G
	1780	364T	P_C604	177.1	180	230	53.8	344	67.2	430	0.88	95.0	G
	1180	404T	P_C606	267.2	180	230	56.0	344	70.0	430	0.86	94.5	G
75	3550	365TS	P_C752	111	170	170	66.6	432	83.3	540	0.9	93.6	G
	1780	365T	P_C754	221.4	185	185	66.2	432	82.7	540	0.89	95.4	G
	1180	405T	P_C756	334	180	180	69.6	432	87.0	540	0.86	94.5	G
100	3570	405TS	P_C1002	147.2	175	240	88.8	562	111	702	0.9	94.1	E
	1780	405T	P_C1004	295.2	180	250	90.4	562	113	702	0.87	95.4	F
	1180	444T	P_C1006	445.3	160	210	91.2	564	114	705	0.86	95.0	F
125	3570	444TS	P_C1252	184	140	210	110	704	137	880	0.9	95.0	F
	1780	444T	P_C1254	369	130	200	111	704	139	880	0.88	95.4	F
	1180	445T	P_C1256	556.5	155	200	116	704	145	880	0.85	95.0	F
150	3570	445TS	P_C1502	220.8	140	200	130	840	163	1050	0.9	95.8	F
	1780	445T	P_C1504	442.8	150	210	131	840	164	1050	0.89	95.8	F
	1180	447T	P_C1506	667.9	165	200	138	840	172	1050	0.85	95.8	F
200	3570	447TS	P_C2002	294.4	140	210	174	1144	218	1430	0.9	95.4	G
	1780	447T	P_C2004	590.4	160	220	177	1144	221	1430	0.88	96.2	G
	1180	449T	P_C2006	890.5	150	200	182	1144	227	1430	0.86	95.8	G

Note: * Replace " " in Catalogue Number with "A" for 575 Volt or "B" for 208-230/460 Volt

NOTE: Pricing and specifications subject to change without notice.

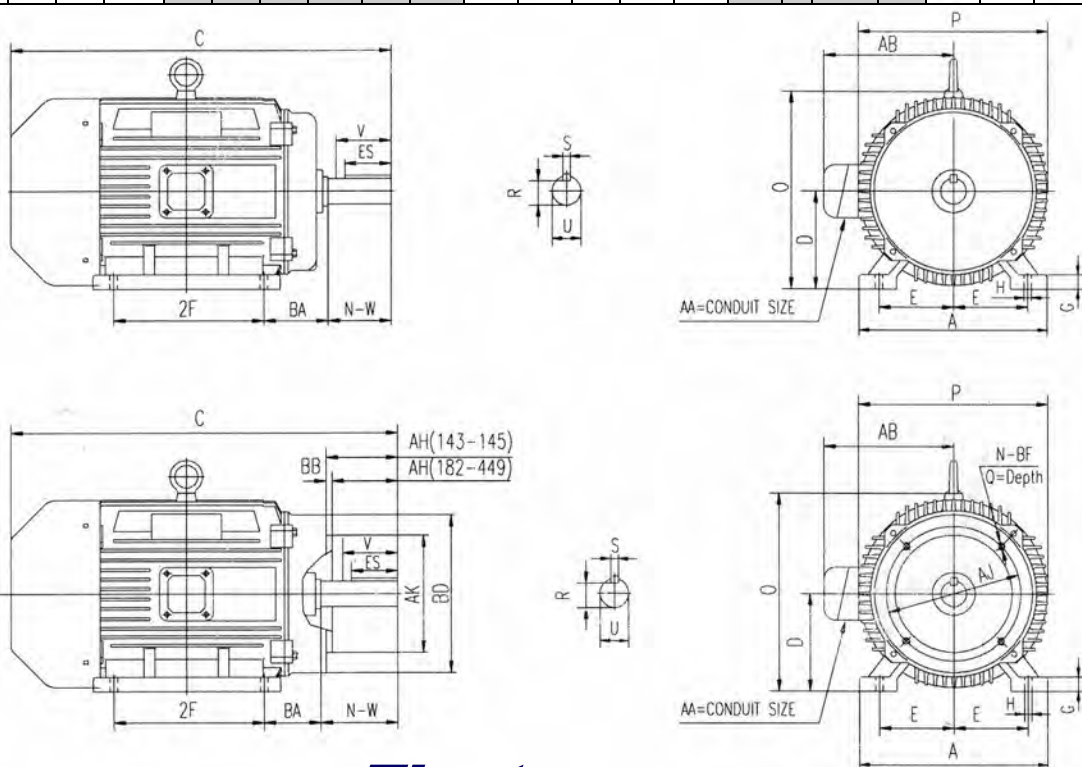


Phelan Electromec™

ELECTROMAX eNRG+ PREMIUM EFFICIENCY DIMENSIONAL DATA

eNRG+ CAST IRON MOTOR DIMENSIONAL DATA

FRAME	A	C	D	E	2F	G	H	AA	O	P	BA (")	AB	AJ	AK	BB Min	AH	BD Max	N	BF	Q	SHAFT DIMENSION			KEYSEAT		
																					N-W	U	V	R	ES	S
143T	7.0	13.3	3.50	2.75	4.00	.050	0.34	0.75	7.3	7.5	2.25 (2.75)	6.5	5.875	4.5	0.16	2.13	6.5	4	0.375-16	0.56	2.25	0.875	2.00	0.771	1.41	0.188
145T		14.3			5.00																					
182T	9.0	16.3	4.50	3.75	4.50	0.65	0.41	1.25	9.4	9.7	2.75 (3.50)	8.2	7.250	8.5	0.25	2.63	9.0	4	0.500-13	0.75	2.75	1.125	2.50	0.986	1.78	0.250
184T		17.3			5.50																					
213T	10.6	21.3	5.25	4.25	5.50	0.82	0.41	1.25	11.3	12.0	3.50 (4.25)	9.5	7.250	8.5	0.25	3.13	9.0	4	0.500-13	0.75	3.38	1.375	3.12	1.201	2.41	0.312
215T		22.9			7.00																					
254T	12.2	25.6	6.25	5.00	8.25	0.9	0.53	1.25	13.3	13.0	4.25 (4.75)	10.2	7.250	8.5	0.25	3.75	9.5	4	0.500-13	0.75	4.00	1.625	3.75	1.416	2.91	0.375
256T		27.3			10.00																					
284T	14.0	28.6	7.00	5.50	9.50	1.0	0.53	1.50	14.4	14.3	4.75	11.0	9.00	10.5	0.25	4.37	11.1	4	0.500-13	0.75	4.62	1.875	4.38	1.591	3.28	0.500
286T					11.00																					
284TS		27.2			9.50											3.00					3.25	1.625	3.00	1.416	1.91	0.375
286TS					11.00																					
324T	15.5	34.4	8.00	6.25	10.50	1.10	0.66	2.0	16.5	16.7	5.25	14.4	11.00	12.5	0.25	5.00	13.1	4	0.625-11	0.94	5.25	2.125	5.00	1.845	3.91	0.500
326T		36.0			12.00																					
324TS		32.9			10.50											3.75					1.875	3.50	1.591	2.03	0.500	
326TS		34.5			12.00																					
364T	17.2	39.0	9.00	7.00	11.25	1.25	0.66	3.0	18.3	18.3	5.88	15.6	11.00	12.5	0.25	5.63	13.1	8	0.625-11	0.94	5.88	2.375	5.62	2.021	4.28	0.625
365T		40.6			12.25																					
364TS		36.5			11.25											3.75					1.875	3.50	1.591	2.03	0.500	
365TS		38.0			12.25																					
404T	19.4	37.4	10.00	8.00	12.25	1.25	0.81	3.0	20.6	20.7	6.62	17.5	11.00	12.5	0.25	7.00	13.2	8	0.625-11	0.94	7.25	2.875	7.00	2.450	5.65	0.750
405T		42.6			13.75																					
405TS		39.5			13.75											4.25					2.125	4.00	1.845	2.78	0.500	
444T	21.5	52.9	11.00	9.00	14.50	1.38	0.81	3.0	23.3	24.6	7.50	19.0	14.00	16.0	0.25	8.25	17.1	8	0.625-11	0.94	8.50	3.75	8.25	2.880	6.91	0.875
445T		15.50																								
444TS		49.1			14.50											4.75					2.375	4.50	2.021	3.03	0.625	
445TS					16.50																					
447T	21.5	52.9	11.00	9.00	20.00	1.38	0.81	3.0	23.3	24.6	7.50	19.0	14.00	16.0	0.25	8.25	17.1	8	0.625-11	0.94	8.50	3.375	3.25	2.880	6.91	0.875
449T					25.00																					
447TS					49.1											20.00					4.75	2.375	4.50	2.021	3.03	0.625



Electromec™

NOTE: Pricing and specifications subject to change without notice.