

Phelan Electromec™

MIGHTYMAX THREE PHASE

56 FRAME, TOTALLY ENCLOSED FAN COOLED

DESIGN FEATURES

- 208-230/460V, 1.15 SF; also rated for 50Hz at 1.0 SF on nameplate (50Hz, 190/380V)
- NEMA Design B
- Class F Insulation System - Materials are Class H (180 C) except for leads (Class F)
- 2000V Spike Resistant Windings
- 5:1 Constant Torque Speed Range, 10:1 Variable Torque Speed Range
- 90° Rotatable oversized conduit box
- Stainless steel nameplate
- Voltage - 230/460V (Useable on 208V), 575V
- IP55 Degree of Protection
- Class 1, Division 2, Group A, B, C, D
- Gasketed conduit box
- C Face models have removable feet
- F1 Standard - F0 or F2 by changing position of feet



**ELECTROMECC MIGHTYMAX RUGGED
LIGHTWEIGHT ALUMINUM FRAME**

HP	RPM	FRAME*	575V CAT. NO	208-230/460V CAT. NO.	575V FL AMPS	230/460V FL AMPS	WGT ^ (LBS)	"C" DIM.	LIST
.33	3600	56C	FA332	----	.4	----	18	11.53	\$362
	1800	56	FA334F	FB334F	.52	1.3 / .65	18	11.53	\$390
56C		FA334	----	\$440					
.5	3600	56	FA052F	----	.58	----	19	11.53	\$367
		56C	FA052	FB052		1.46 / .73			\$417
	1800	56	FA054F	FB054F	.78	1.96 / .98	21	11.53	\$404
		56C	FA054	FB054					\$454
1200	56C	FA056	FB056	.91	2.26 / 1.13	23	11.53	\$469	
.75	3600	56	FA752F	----	.9	----	22	11.53	\$390
		56C	FA752	FB752		2.26 / 1.13			\$440
	1800	56	FA754F	FB754F	1.03	2.58 / 1.29	23	11.53	\$417
		56C	FA754	FB754					\$467
1200	56C	FA756	FB756	1.28	3.2 / 1.6	25	11.53	\$476	
1	3600	56C	FA012	FB012	1.14	2.84 / 1.42	24	11.53	\$450
	1800	56	FA014F	FB014F	1.28	3.2 / 1.6	25	11.53	\$427
		56C	FA014	FB014					\$477
1.5	3600	56C	FA152	FB152	1.6	4.0 / 2.0	25	11.53	\$503
	1800	56	FA154F	FB154F	1.8	4.5 / 2.25	26	11.53	\$434
		56C	FA154	FB154					\$484

56C TOTALLY ENCLOSED FLANGE KITS FOR ELECTROMECC MOTORS THIS PAGE		LIST
CAT. NO.	CF56M	50

NOTES:

** - 56C Face models have removable base

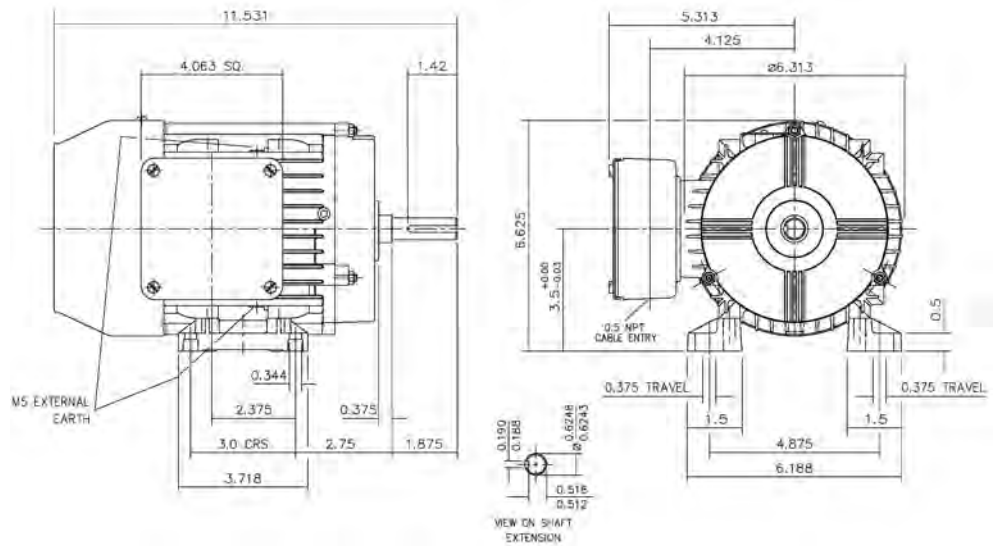
^ - Weights are approximate

Electromec™

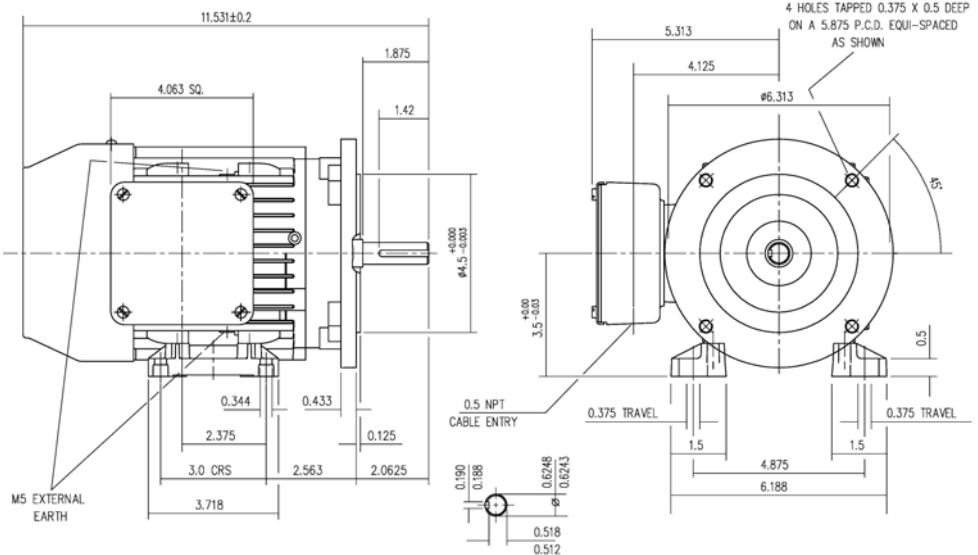
NOTE: Pricing and specifications subject to change without notice.

**MIGHTYMAX THREE PHASE, 56 FRAME
TEFC - DIMENSIONS, PERFORMANCE DATA**

FOOT MOUNT



C FACE & FOOT MOUNT



MIGHTYMAX 3 PHASE 56 FRAME PERFORMANCE DATA

HP	RPM	FRAME	CAT. NO.*		AMPS			TORQUE			EFF.	PF (FL)
			575V	208-230/460V	FLC 575V	FLC 460V	LRC (% FLC)	FLT (ft/lbs)	LRT (% FLT)	POT (%FLT)		
.33	3440	56	FA332	FB332	0.40	0.50	240	0.51	240	290	74.0	0.84
.50	3430	56	FA052	FB052	0.60	0.76	240	0.80	240	300	74.0	0.83
.75	3430	56	FA752	FB752	0.94	1.18	220	1.16	220	250	74.0	0.79
1.0	3430	56	FA012	FB012	1.14	1.43	240	1.52	240	300	78.5	0.84
1.5	3440	56	FA152	FB152	1.61	2.07	260	2.24	260	300	82.5	0.83
.33	1710	56	FA334	FB334	0.52	0.65	200	1.01	200	285	68.0	0.71
.50	1710	56	FA054	FB054	0.82	1.02	270	1.52	270	340	68.0	0.67
.75	1710	56	FA754	FB754	1.03	1.29	240	2.24	240	270	75.5	0.71
1.0	1720	56	FA014	FB014	1.29	1.61	300	3.03	300	320	82.5	0.71
1.5	1720	56	FA154	FB154	1.98	2.48	225	4.48	225	275	78.5	0.71
.50	1140	56	FA056	FB056	0.88	1.11	230	2.31	230	270	70.0	0.60
.75	1140	56	FA756	FB756	1.26	1.58	250	3.40	400	300	74.0	0.59

* Cat. No. is for motor with C face & feet. Models with "F" at end of Cat. No. are foot mount, no flange.