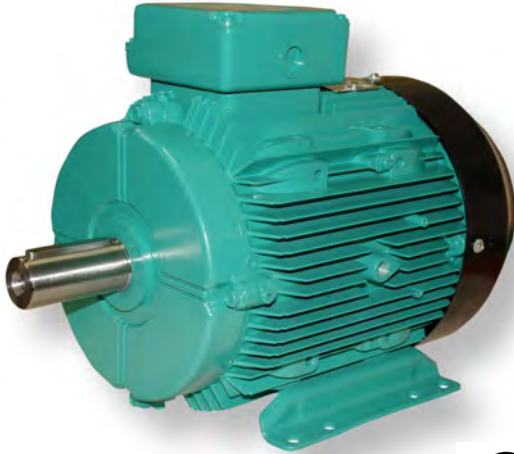


ELECTROMECC MIGHTYMAX HIGH EFFICIENCY ALUMINUM CONSTRUCTION IEC METRIC MOTORS



DESIGN FEATURES

- Totally Enclosed Fan Cooled
- IP55 Degree of protection on motor and terminal box
- Class 1 Div 2 Group A, B, C, D
- Voltage 208-230/460V or 575V Freq-60HZ
- 2000V Spike Resistant Winding
- MGI Part 31 rating for use with VFD
- 5:1 Constant Torque Speed Range, 10:1 Variable Torque Speed Range
- Class F Insulation With Class B Rise
- Multi-mount Capability by Changing Feet Position
- Wide Temperature Lithium Grease
- Oil Seals on Both Drive and Non Drive End
- B5 and B14 Flange Kits Available for Easy Field Conversion
- Drilled and Tapped Shaft

kW/HP	RPM	FRAME	575 V CAT. NO.	230/460 V CAT. NO.	FL AMPS 575	FL AMPS 230/460	FL EFF.	WGT (LBS)	"C" DIM.	LIST
.18/.25	3600	63	A.18263	B.18263	0.34	0.84 / 0.42	68.0	13	8.15	\$207
	1800	63	A.18463	B.18463	0.34	0.86 / 0.43	69.0	13	8.15	\$217
	1200	71	A.18671	B.18671	0.41	1.02 / 0.51	65.0	15	9.37	\$291
.25/.33	3600	63	A.25263	B.25263	0.46	1.15 / 0.57	70.0	13	8.15	\$216
	1800	71	A.25471	B.25471	0.45	1.13 / 0.57	73.0	15	9.37	\$248
	1200	71	A.25671	B.25671	0.57	1.42 / 0.71	65.0	15	9.37	\$302
.37/.5	3600	71	A.37271	B.37271	0.64	1.59 / 0.8	73.0	15	9.37	\$261
	1800	71	A.37471	B.37471	0.63	1.59 / 0.8	76.0	15	9.37	\$269
	1200	80	A.37680	B.37680	0.6	1.9 / 0.95	69.0	23	10.94	\$361
.55/.75	3600	71	A.55271	B.55271	0.7	2.16 / 1.08	76.0	15	9.37	\$292
	1800	80	A.55480	B.55480	0.94	2.36 / 1.18	77.0	23	10.94	\$342
	1200	80	A.55680	B.55680	1.13	2.82 / 1.41	69.0	23	10.94	\$398
.75/1.0	3600	80	A.75280	B.75280	1.21	3.02 / 1.51	79.0	23	10.94	\$324
	1800	80	A.75480	B.75480	1.21	3.02 / 1.51	80.0	23	10.94	\$363
	1200	90S	A.75690S	B.75690S	1.31	3.27 / 1.63	80.0	29	12.68	\$531
1.1/1.5	3600	80	A1.1280	B1.1280	1.63	4.08 / 2.04	82.5	23	10.94	\$363
	1800	90S	A1.1490S	B1.1490S	1.69	4.21 / 2.11	84.0	29	12.68	\$518
	1200	90L	A1.1690L	B1.1690L	1.98	4.95 / 2.48	78.5	35	12.68	\$552
1.5/2.0	3600	90S	A1.5290S	B1.5290S	2.19	5.47 / 2.73	84.0	29	12.68	\$511
	1800	90L	A1.5490L	B1.5490L	2.21	5.53 / 2.77	84.0	35	12.68	\$524
	1200	100L	A1.56100L	B1.56100L	2.57	6.42 / 3.21	81.5	42	14.50	\$759
2.2/3.0	3600	90L	A2.2290L	B2.2290L	5.5	7.88 / 3.94	85.5	35	12.68	\$759
	1800	100L	A2.24100L	B2.24100L	3.12	7.79 / 3.9	87.5	42	14.50	\$679
	1200	112M	A2.26112M	B2.26112M	3.51	8.77 / 4.38	87.5	66	15.04	\$966

NEW LIST PRICING

NOTES: ElectroMec IEC Metric Motors continued next page.
B5 and B14 Flanges for Metric motors are listed next page.



NOTE: Pricing and specifications subject to change without notice.

**ELECTROMECC MIGHTYMAX HIGH EFFICIENCY
ALUMINUM CONSTRUCTION IEC METRIC MOTORS**

kW/HP	RPM	FRAME	575 V CAT. NO.	230/460 V CAT. NO.	FL AMPS 575	FL AMPS 230/460	FL EFF.	WGT (LBS)	"C" DIM.	LIST
3.0/4.0	3600	100L	A32100L	B32100L	4.8	10.19 / 5.09	84.0	42	14.50	\$673
	1800	100L	A34100L	B34100L	5.2	10.5 / 5.25	87.5	42	14.50	\$741
	1200	132S	A36132S	B36132S	4.6	11.5 / 5.7	87.5	110	17.76	\$1,317
3.7/5.0	3600	112M	A3.72112M	B3.72112M	5.58	11.9 / 6.0	87.5	66	15.04	\$928
	1200	132M	A3.76132M	B3.76132M	5.7	14.2 / 7.1	87.5	110	17.76	\$1,282
4.0/5.5	3600	112M	A42112M	B42112M	5.2	13.0 / 6.5	87.5	66	15.04	\$928
	1800	112M	A44112M	B44112M	5.6	14.0 / 7.0	88.5	66	15.04	\$912
	1200	132M	A46132M	B46132M	5.8	14.5 / 7.3	87.5	110	17.76	\$1,282
5.5/7.5	3600	132S	A5.52132S	B5.52132S	6.9	17.3 / 8.7	88.5	110	17.76	\$1,199
	1800	132S	A5.54132S	B5.54132S	7.3	18.4 / 9.2	89.5	110	17.76	\$1,266
	1200	132M	A5.56132M	B5.56132M	7.9	19.7 / 9.9	87.5	110	17.76	\$1,436
7.5/10.0	3600	132S	A7.52132S	B7.52132S	9.3	23.4 / 11.7	89.5	110	17.76	\$1,329
	1800	132M	A7.54132M	B7.54132M	10.0	25.0 / 12.5	89.5	110	17.76	\$1,396

NEW LIST PRICING

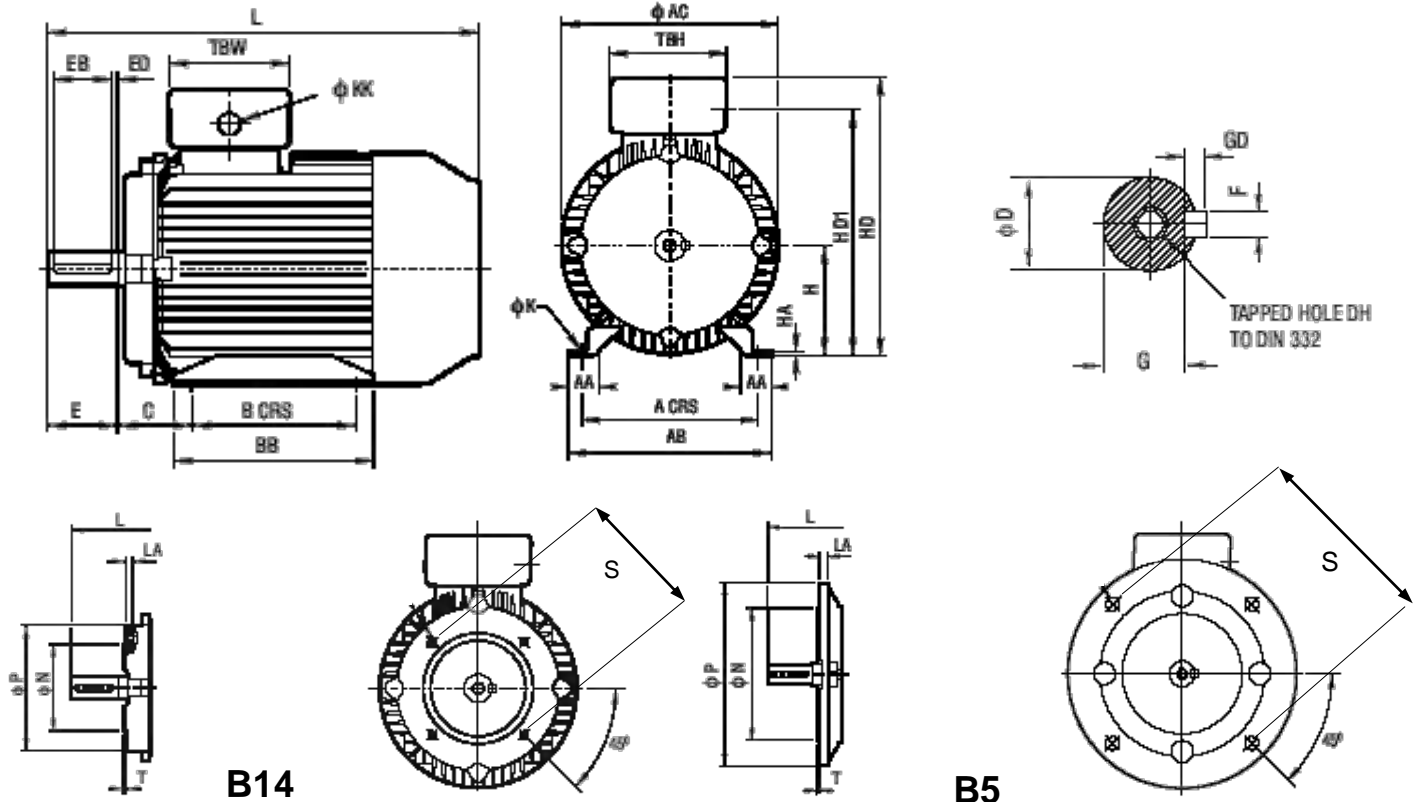
METRIC FLANGE KITS			
IEC FRAME	B5	B14	LIST
63	AD63B5M	AD63B14M	\$38
71	AD71B5M	AD71B14M	\$41
80	AD80B5M	AD80B14M	\$62
90	AD90B5M	AD90B14M	\$66
100	AD100B5M	AD100B14M	\$78
112	AD112B5M	AD112B14M	\$101
132	AD132B5M	AD132B14M	\$121

MIGHTYMAX IEC METRIC ALUMINUM FRAME PERFORMANCE DATA

kW/HP	RPM	FRAME	CAT. NO.		TORQUE			CURRENT			EFF. %	PF
			575V	230/460V	FULL LOAD FT/LB	LOCKED ROTOR %	BREAK DOWN %	FLA 575V	FLA 460V	LRA% FL		
0.18/0.25	3600	63	A.18263	B.18263	.39	300	350	0.34	0.42	500	68	0.79
	1800	63	A.18463	B.18463	.80	200	250	0.34	0.43	400	69	0.76
	1200	71	A.18671	B.18671	1.12	200	250	0.41	0.51	400	65	0.68
0.25/0.33	3600	63	A.25263	B.25263	.54	275	325	0.46	0.57	500	70	0.78
	1800	63	A.25463	B.25463	1.08	200	250	0.45	0.57	400	73	0.76
	1200	71	A.25671	B.25671	1.67	200	250	0.57	0.71	400	65	0.68
0.37/0.5	3600	71	A.37271	B.37271	.80	275	325	0.64	0.8	550	73	0.8
	1800	71	A.37471	B.37471	1.52	225	275	0.63	0.79	600	76	0.76
	1200	80	A.37680	B.37680	2.4	210	260	0.60	0.95	400	69	0.70
0.55/0.75	3600	71	A.55271	B.55271	1.16	275	325	0.7	1.08	600	76	0.84
	1800	80	A.55480	B55480	2.3	225	275	0.94	1.18	600	77	0.76
	1200	80	A.55680	B55680	3.5	210	260	1.13	1.41	400	69	0.71
0.75/1.0	3600	80	A.75280	B75280	1.6	275	325	1.21	1.51	600	79	0.79
	1800	80	A.75480	B75480	3.1	200	250	1.21	1.51	500	80	0.78
	1200	90S	A.75690S	B75690S	4.7	200	250	1.31	1.63	400	80	0.72
1.1/1.5	3600	80	A1.1280	B1.1280	2.3	225	275	1.63	2.04	600	82.5	0.82
	1800	90S	A1.1490S	B1.1490S	4.6	200	250	1.69	2.11	500	84	0.78
	1200	90L	A1.1690L	B1.1690L	6.9	200	250	1.98	2.48	430	78.5	0.71
1.5/2.0	3600	90S	A1.5290S	B1.5290S	3.1	225	275	2.19	2.73	600	84	0.82
	1800	90L	A1.5490L	B1.5490L	6.2	200	250	2.21	2.77	500	84	0.81
	1200	100L	A1.56100L	B1.56100L	9.4	200	250	2.57	3.21	400	81.5	0.72
2.2/3.0	3600	90L	A2.2290L	B2.2290L	4.6	225	275	3.5	3.94	600	85.5	0.82
	1800	100L	A2.24100L	B2.24100L	9.1	200	250	3.12	3.9	500	87.5	0.81
	1200	112M	A2.26112M	B2.26112M	13.8	200	250	3.51	4.38	400	87.5	0.72
3.0/4.0	3600	100L	A32100L	B32100L	6.2	275	325	4.8	5.09	600	84	0.88
	1800	100L	A34100L	B34100L	12.2	200	250	5.2	5.25	600	87.5	0.82
	1200	132S	A36132S	B36132S	18.9	200	250	4.6	5.7	500	87.5	0.75
3.7/5.0	3600	112M	A3.72112M	B3.72112M	7.5	275	300	7.6	6.0	770	87.5	0.89
	1800	112M	A3.74112M	B3.74112M	15.0	230	280	5.1	6.4	720	87.5	0.83
	1200	132M	A3.76132M	B3.76132M	22.5	210	240	5.7	7.1	650	87.5	0.75
4.0/5.5	3600	112M	A42112M	B42112M	8.2	250	300	5.2	6.5	650	85.5	0.88
	1800	112M	A44112M	B44112M	16.3	200	250	5.6	7.0	600	88.5	0.81
	1200	132M	A46132M	B46132M	24.7	200	250	5.8	7.3	550	87.5	0.79
5.5/7.5	3600	132S	A5.52132S	B5.52132S	11.1	210	240	6.9	8.7	730	88.5	0.90
	1800	132S	A5.54132S	B5.54132S	22.3	210	240	7.3	9.2	680	89.5	0.84
	1200	132M	A5.56132M	B5.56132M	33.3	200	250	7.9	9.9	630	87.5	0.80
7.5/10.0	3600	132S	A7.52132S	B7.52132S	15.2	210	240	9.3	11.7	690	89.5	0.90
	1800	132S	A7.54132S	B7.54132S	30.2	210	240	10.0	12.5	650	89.5	0.84

Phelan  Electromec™

ELECTROMECC MIGHTYMAX HIGH EFFICIENCY IEC METRIC MOTORS DIMENSIONS



FRAME	A	B	C	H	K	L	AA	AB	AC	BB	HA	HD	HD(1)	TBW	TBH	KK				
63S	100	80	40	63	7	207	19	119	126	100	2	163	138	86	86	20				
71S	112	90	45	71	7	238	19	131	140	110	2	186	162	86	86	20				
80M	125	100	50	80	10	278	27	157	160	127	4	212	183	86	86	20				
90S	140	100	56	90	10	322	28	164	178	150	4	225	201	86	86	20				
90L	140	125	56	90	10	322	28	164	178	150	4	225	201	86	86	20				
100L	160	140	63	100	12	368	28	184	199	170	4	254	223	106	106	20				
112M	190	140	70	112	12	382	35	218	215	170	4	279	245	127	127	25				
132S	216	140	89	132	12	451	38	242	255	208	5	320	287	127	127	25				
132M	216	178	89	132	12	451	38	242	255	208	5	320	287	127	127	25				
FRAME	B5 MOUNTING						B14 MOUNTING						SHAFT DIMENSIONS							
	M	N	P	S	T	LA	M	N	P	S	T	LA	D	E	F	G	H	EB	ED	DH
63S	115	95	140	10	3	7	75	60	90	M5	2.5	7	11	23	4	8.5	4	10	13	M4 x 10
71S	130	110	160	10	3.5	7	85	70	105	M6	2.5	9	14	30	5	11	5	20	5	M5 x12.5
80M	165	130	200	12	3.5	12	100	80	120	M6	3	9	19	40	6	15.5	6	32	4	M6 x 16
90S	165	130	200	12	3.5	10	115	95	140	M8	3	9	24	50	8	20	7	40	5	M8 x 19
90L	165	130	200	12	3.5	10	115	95	140	M8	3	9	24	50	8	20	7	40	5	M8 x 19
100L	215	180	250	14.5	4	12	130	110	160	M8	3.5	12.5	28	60	8	23.9	7	50	5	M10 x 22
112M	215	180	250	14.5	4	12	130	110	164	M8	3.5	13	28	60	8	23.9	7	50	5	M10 x 22
132S	265	230	300	14.5	4	12	165	130	200	M10	3.5	14	38	80	10	33	8	70	5	M12 x 28
132M	265	230	300	14.5	4	12	165	130	200	M10	3.5	14	38	80	10	33	8	70	5	M12 x 28

NOTE: Pricing and specifications subject to change without notice.