

DISCOUNT CODE - MEL



Phelan Electromec™

MIGHTYMAX 'eNRG+' SERIES PREMIUM EFFICIENCY ALUMINUM CONSTRUCTION

DESIGN FEATURES

- NEMA Premium Efficiency, Design B
- Class F Insulation System with Class B Temperature rise
- MG1 Part 31 Rating to use with VFD
- 2000V Spike Resistant Windings
- 5:1 Constant Torque Speed Range, 10:1 Variable Torque Speed Range
- 90° rotatable oversized and gasketed conduit box
- Voltage - 230/460V (Useable on 208V), 575V
- IP55 Degree of Protection
- Class 1, Division 2, Group A, B, C, D
- Gasketed Conduit Box
- F1 Standard - F0 or F2 by changing position of feet



HP	RPM	FRAME	CAT. NO.*	FL EFF.	FL AMPS 575	FL AMPS 230/460	WGT (LBS)	"C" DIM.	LIST
1	3600	143T	P_12M	80.0	1.1	2.8 / 1.4	30	13.07	\$450
	1800	143T	P_14M	85.5	1.14	2.85 / 1.43	31	13.07	\$489
	1200	145T	P_16M	82.5	1.4	3.4 / 1.7	36	13.07	\$591
1.5	3600	145T	P_1.52M	84.0	1.6	4.0 / 2.0	29	13.07	\$489
	1800	145T	P_1.54M	86.5	1.8	4.5 / 2.3	36	13.07	\$514
	1200	182T	P_1.56M	87.5	2.4	6.0 / 3.0	58	16.60	\$681
2	3600	145T	P_22M	85.5	2.15	5.38 / 2.69	34	13.07	\$527
	1800	145T	P_24M	86.5	2.26	5.65 / 2.83	40	13.07	\$553
	1200	184T	P_26M	88.5	2.2	5.5 / 2.8	73	16.60	\$720
3	3600	145TC	P_32CS	86.5	3.0	7.5 / 3.8	55	13.07	\$743
	3600	182T	P_32M	86.5	2.9	7.25 / 3.63	58	16.60	\$703
	1800	182T	P_34M	89.5	3.1	7.75 / 3.88	65	16.60	\$720
	1200	213T	P_36M	89.5	3.3	8.25 / 4.13	106	19.35	\$1,003
5	3600	184T	P_52M	88.5	4.7	11.8 / 5.89	65	16.60	\$869
	1800	184T	P_54M	89.5	5.2	13.0 / 6.5	73	16.60	\$810
	1200	215T	P_56M	89.5	5.7	14.2 / 7.1	138	19.35	\$1,414
7.5	3600	213T	P_7.52M	89.5	7.1	17.8 / 8.89	106	19.35	\$1,111
	1800	213T	P_7.54M	91.7	7.4	18.5 / 9.25	119	19.35	\$1,157
10	3600	215T	P_102M	90.2	9.6	24.0 / 12.0	117	19.35	\$1,273
	1800	215T	P_104M	91.7	10.3	25.8 / 12.9	138	19.35	\$1,335

NEW LIST PRICING

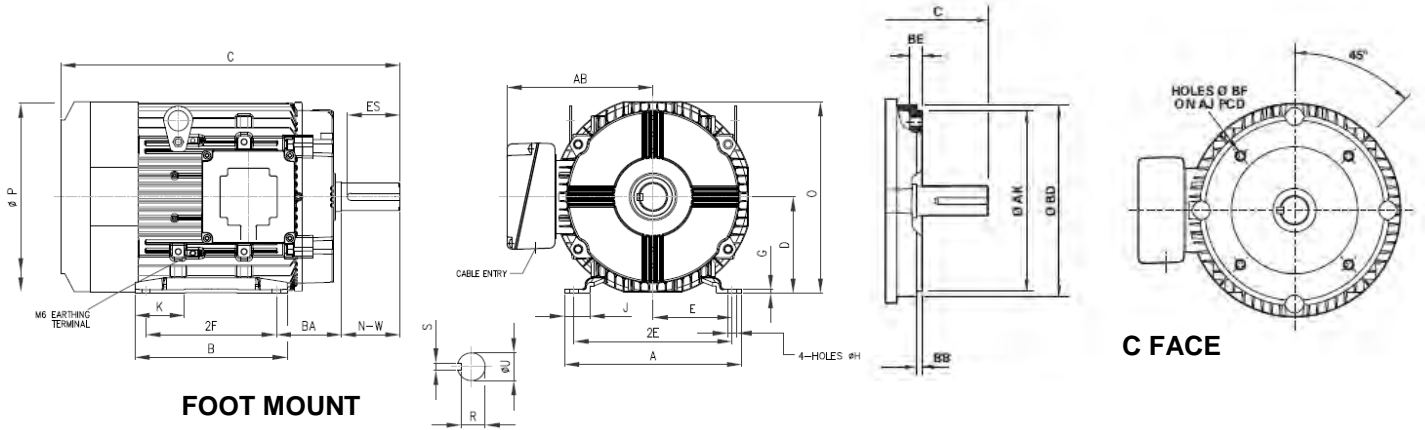
Notes:

Replace “_” in Catalogue Number with “A” for 575 Volt or “B” for 208-230/460 Volt

C FLANGE KITS FOR MIGHTYMAX eNRG+		
FRAME	CAT. NO.	LIST
140T	CFP140M	\$62
180T	CFP180M	\$91
210T	CFP210M	\$125



NOTE: Pricing and specifications subject to change without notice.



MIGHTYMAX eNRG+ DIMENSIONAL DATA

FRAME	FOOT					SHAFT					GENERAL									
	2E	2F	BA	D	H	A	B	E	G	J	K	ES	N-W	R	S	U	C	P	AB	O
143T	5.50	4.00	2.25	3.50	0.35	6.46	6.00	2.75	0.16	1.10	-	1.45	2.25	0.771	0.188	0.875	13.07	7.00	5.50	7.10
145T		5.00																		
182T	7.50	4.50	2.75	4.50	0.47	8.35	7.64	3.75	0.16	1.26	2.36	1.78	2.75	0.986	0.250	1.125	16.60	9.22	7.50	8.90
184T																				
213T	8.50	5.50	3.50	5.25	0.47	9.53	8.19	4.25	0.20	1.38	2.68	2.25	3.38	1.201	0.312	1.375	19.35	10.83	8.25	10.25
215T																				

C FACE DIMENSIONAL DATA

FRAME	AJ	AK	BB	BD	BE	BF
143T	5.875	4.50	.125	6.5	12	UNC 3/8
145T						
182T	7.25	8.50	.25	9.0	6	UNC 1/2
184T						
213T	7.25	8.50	.25	9.0	16	UNC 1/2
215T						

MIGHTYMAX eNRG+ PERFORMANCE DATA

HP	RPM	FRAME	CAT. NO.		AMPS			TORQUE			EFF.	PF (FL)
			575V	208-230/460V	FLC 575V	FLC 460V	LRC (% FLC)	FLT (ft/lbs)	LRT (% FLT)	POT (%FLT)		
1.0	3500	143T	PA12M	PB12M	1.17	1.46	700	1.51	250	250	80.7	0.80
1.5	3480	145T	PA1.52M	PB1.52M	1.55	1.9	800	2.24	275	300	84.0	0.85
2	3485	145T	PA22M	PB22M	2.07	2.6	800	3.04	275	300	85.5	0.85
3	3450	145TC	PA32CS	PB32CS	3.0	3.8	800	4.50	375	350	86.5	0.85
3	3470	182T	PA32M	PB32M	2.87	3.60	800	4.41	275	350	86.5	0.89
5	3495	184T	PA52M	PB52M	4.72	5.90	800	7.5	275	350	88.5	0.89
7.5	3520	213T	PA7.52M	PB7.52M	6.93	8.70	800	11.0	300	350	89.5	0.89
10	3530	215T	PA102M	PB102M	9.38	11.7	800	15.0	300	350	90.2	0.89
1	1740	143T	PA14M	PB14M	1.14	1.43	650	3.04	250	300	85.5	0.77
1.5	1730	145T	PA1.54M	PB1.54M	1.80	2.25	600	4.5	175	200	86.5	0.72
2	1740	145T	PA24M	PB24M	2.26	2.83	650	6.1	250	300	86.5	0.77
3	1760	182T	PA34M	PB34M	3.10	3.90	700	8.8	250	300	89.5	0.79
5	1760	184T	PA54M	PB54M	5.20	6.50	700	14.8	250	300	89.5	0.80
7.5	1765	213T	PA7.5M	PB7.5M	7.40	9.25	600	22.0	225	275	91.7	0.81
10	1770	215T	PA104M	PB104M	10.3	12.9	700	29.9	250	275	91.7	0.80
1.0	1140	145T	PA16M	PB16M	1.45	1.81	600	4.63	225	275	82.5	0.63
1.5	1150	182T	PA1.56M	PB1.56M	1.68	2.10	600	6.74	150	200	87.5	0.75
2	1175	184T	PA26M	PB26M	2.20	2.75	550	9.0	250	275	88.5	0.77
3	1175	213T	PA36M	PB36M	3.30	4.13	800	13.2	225	275	89.5	0.75